

Infrared detection modules

PDMxx

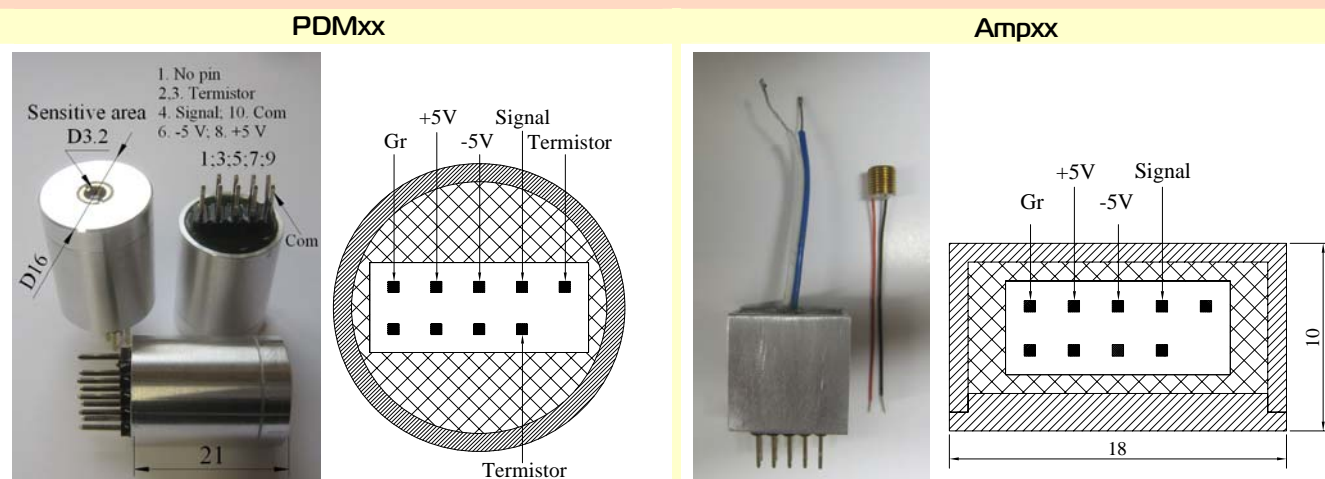
Type	PDM34	PDM38	PDM42	PDM47	PDM55
Photodiode	PD34	PD38	PD42NB/WB	PD47WB	PD55Sr
Peak wavelength, μm	3.4	3.8	4.2	4.7	5.3
NEP (20°C), $\text{W}/\text{Hz}^{1/2}$	(4-6)E-12	(1-4)E-11	(2-8)E-11	(1-4)E-10	(2-9)E-10
Photosensitive area, mm/Field of view, deg.	$\varnothing 3.2 / \sim 15$				
Current/voltage conversion coefficient, V/A	5E4				
$U_{r_{ms}}$, mV	2 ÷ 5				
Maximum output voltage, V	4				
External power supply, V	+/- 5				
Frequency response, MHz	DC ÷ 1			DC ÷ 0.2	
Thermistor	TB04-103, Resistance 10 kOhm at 20 °C				

Amplifier for MW IR photodiodes

Ampxx

Frequency response, MHz	DC ÷ 1 (0.2)	Current/voltage conversion coefficient, V/A	5E4
$U_{r_{ms}}$, mV	2 ÷ 5	External power supply, V	+/- 5
Maximum output voltage, V	0 ÷ 4		

Product view

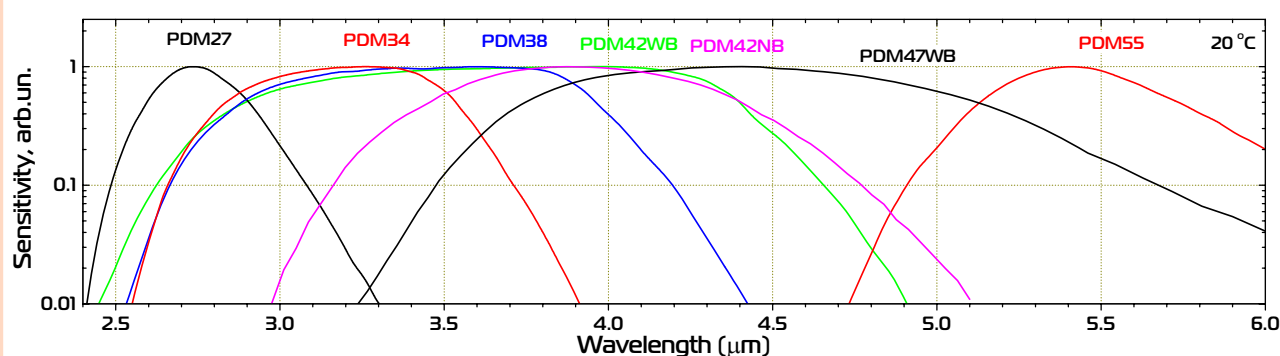


Features

Compact size; Uncooled detector; Easy to use; Operation from DC to HF; Highest long term stability

PDMxx are the infrared detection modules using an immersion photodiode, thermosensor and a transimpedance amplifier integrated into a compact case. PDMxx are dedicated to high speed and DC infrared measurements. Each amplifier is carefully optimized to work with particular type of photodiode.

Spectral response



Product specifications are subject to change without prior notice due to improvements or other reasons. Updated 22.08.14



ООО «ИюффеЛЕД»
IoffeLED, Ltd

Politechnicheskaya 26,
St.Petersburg, 194021, RUSSIA

<http://www.ioffeled.com>; e-mail: Mremenny@mail.ioffe.ru
<http://www.mirdog.spb.ru>; e-mail: bmat@iropt3.ioffe.ru